



Taste of quality
catalogue 2022

Version No: 02

SILGRANIT KITCHEN SINKS

Beautiful. Strong. Clean

BEAUTIFUL

Exclusive Design. Our Silgranit portfolio is offered in nine different colors and features sink designs for you to choose from. Modern farmhouse sink styles and spacious undermounts in striking hues like our latest Coal Black, will make your Silgranit sink the .statement piece you've been looking for

STRONG


Unsurpassed Durability. A Silgranit sink is the ultimate choice for long-lasting kitchen bliss. Silgranit sinks use advanced engineering to produce a material that easily withstands everyday wear and tear. Scuff marks from knives and heavy pots, boiling water, hot pans and baking trays straight from the .oven – don't stand a chance against Silgranit

CLEAN

Easy to Clean. Silgranit has a non-porous, smooth stone surface that repels water and liquids, making it stain-resistant and easy to clean. Our patented Hygienic+Plus surface protection formula reduces bacteria growth by an average of 98%*. This low-maintenance, long-lasting material will help .make life in the kitchen easier

What makes us different is the existence of balance in all aspects of our production. Brentta has brought you the glory of balance and beauty from nature.






BRENTTA has been a leader in the granite sink market for many years thanks to its ability to innovate in shapes, colors, materials and the technology applied to them. A color project that starts from the sink and extends to all elements of the kitchen environment. Uncompromising quality always aimed at providing the best to those who recognize themselves in **BRENTTA** products. We are proud that the balance in the components of the sink has distinguished us from other competitors. A collection of beauty, unique design, excellent raw materials, and finally the art of master craftsmen, has placed **BRENTTA** among the best in sink production.


The project of BRENTTA colors is a project designed for the kitchen environment, in which it gives a special and exclusive proposal to the designers to bring a special and magnificent effect by coordinating the colors of the kitchen appliances with the sink. Designers can create a unique style in the kitchen by having a wide range of colors that we produced for them in the sink. And it is in this situation that materials and colors become the main characters of the kitchen. Environment About %85 of the material used in BRENTTA sinks is quartz, the hardest and most noble component of granite. Thanks to this feature, our sinks are commonly recognized as «Granite» sinks.





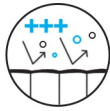
The granite used in BRENTTA sinks is mixed with a high quality acrylic resin to produce a composite material that is resistant to breakage, dirt and which also ensures the longevity of our sinks. The world of brentta includes three materials completely developed in our laboratories. The materials developed by BRENTTA have been specifically designed to meet the trends in modern environments and for increasingly demanding daily use. BRENTTA sinks last over time and are easy to clean. Red wine, tomato, coffee and the use of heavy pots leave no mark.

All sinks are we made according to the highest quality standards. Furthermore, the production takes place following the demanding German environmental standards, the most restrictive in the world. Continuous investments and state-of-the-art research, promoting energy-saving and high-efficiency technologies help to preserve our environment for the future.



PRODUCT ADVANTAGES

BRENTTA sinks consist predominantly of natural quartz sand. The silky smooth matt finish of and the stony finish were specially developed for the demands of the kitchen. The rigour of everyday use leave barely a trace on our proven material technology.



Dirt repellent effect

The dirt simply rolls off



Heat resistant

Not temperature sensitive up to 180 C

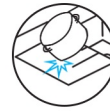
DIN 13310



Food safe

Absolutely safe material

LGA 5631024



Impact resistant

Tough and hard-wearing material

DIN EN438-2



Stain resistant

Food stains cannot stick

LGA 1103

PERFECTLY FITTED SINK INSTALLATION TYPE



Topmount installation

Classic installation type, dropped in from above, for all BRENTTA sink models and all worktop materials.



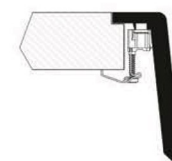
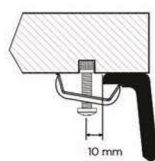
Undermount installation

Fashion-forward installation type for the majority of BRENTTA sink models and matching worktop materials.



Flush-mount installation

Exclusive, seamless installation for selected BRENTTA sink models and suitable worktop materials.

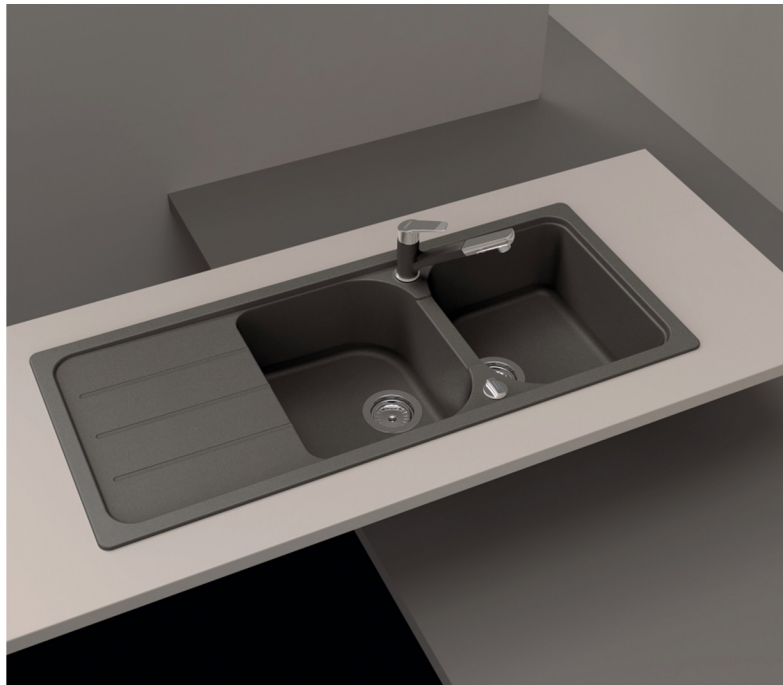




BRENTTA

MATERIAL

- Ideal for food
- Photoresist
- Easy to clean
- Scratch resistant
- Anti stain
- Heat resistant
- Anti-shock
- Hand made
- Natural permanent antibacterial



SILGRANIT SINKS ARE 100 % **HANDMADE** WITH THE BEST MASTERS

What made our world today was our hands.

we will always be indebted to the hands that made our world beautiful to live in. the hands that brought us technology and

progress and if they where not ,there would be no trace of creation in the world.

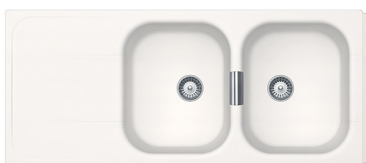
We are indebtet to the hands that brought us art , life , progress , prosperity and security.

We are indebtet to the hands that used the various materials of nature for our well-being and gave them life

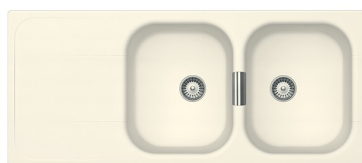


PARIS

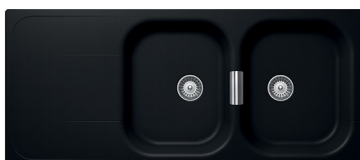
- Modern sink unit for any kitchen ambience
- Harmonious design of outer contours and radii
- Generously proportioned, symmetrically designed bowls – ideal for extended cooking pleasure
- Elegant, large draining area with flowing transition to the bowl area
- High-quality features with InFino drain system - elegantly integrated and easy-care
- Can be installed reversibly



White



Cream



Black

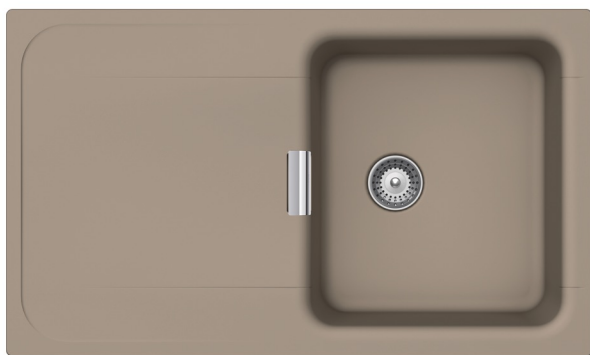


Brown



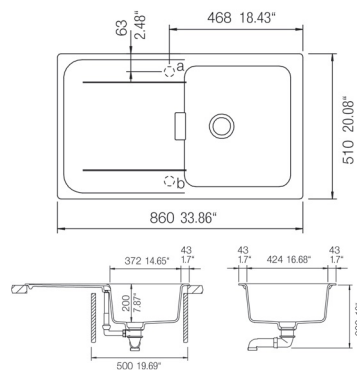
Gray

PARIS B100

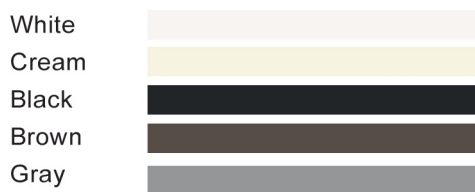


MODEL INFORMATION

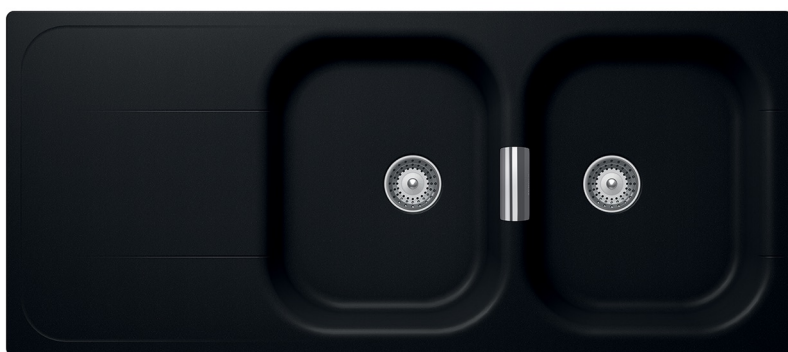
Cabinet size: **50cm**
 Inner dimension of the bowl: **372x 424 x 200 mm**
 Installation: **reversible**
 Cut-out size topmount: **840 x 480 mm**
 Cut-out size undermount: **844 x 494 mm**



BASIC LINE

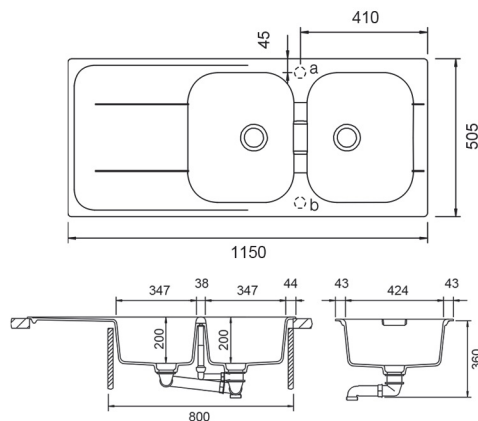


PARIS B200



MODEL INFORMATION

Cabinet size: **80cm**
 Inner dimension of the bowl: **347x 424 x 200 mm**
 Installation: **reversible**
 Cut-out size topmount: **1140x480 mm**
 Cut-out size undermount: **1144x 494 mm**



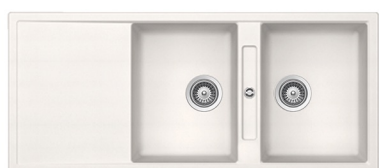
BASIC LINE



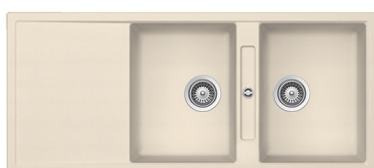


LISBON

- Generous bowl for multiple works in and around the sink
- Soft internal corners in the bowl for easy cleaning
- Mindful shape that integrates nicely within the kitchen design
- Continuous ledge frames the water area and protects the worktop from water splashes
- Very resistant for daily family use thanks to the qualities of the Silgranit material.



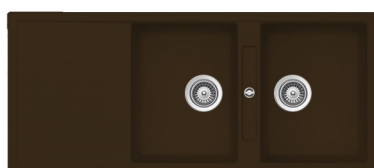
White



Cream



Black

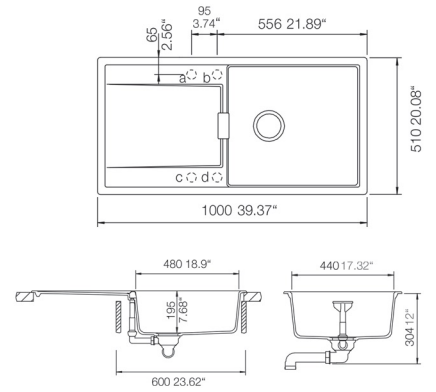


Brown



Gray

LISBON B100

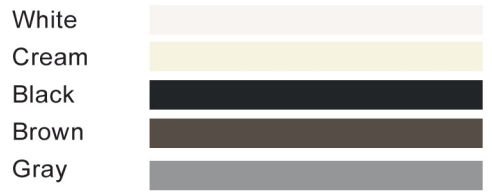


MODEL INFORMATION

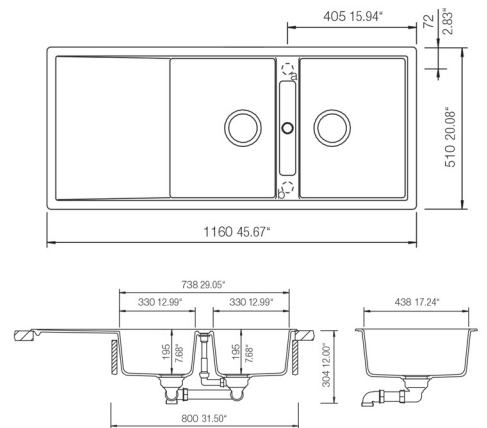
Cabinet size: **50cm**
 Inner dimension of the bowl: **385x 440 x 195 mm**
 Installation: **reversible**
 Cut-out size topmount: **745 x 490 mm**
 Cut-out size undermount: **749 x 494 mm**



BASIC LINE



LISBON B200



MODEL INFORMATION

Cabinet size: **80cm**
 Inner dimension of the bowl: **330x 438 x 195 mm**
 Installation: **reversible**
 Cut-out size topmount: **1140x490 mm**
 Cut-out size flushmount: **1150x500 mm**
 Cut-out size undermount: **1144x 494 mm**



BASIC LINE





VIST

Washing, chopping, sorting, draining – this sink allows you to prepare everything you need for cooking, without taking up too much space on the worktop. The ergonomic BRENTTA concept allows you to work more fluently thanks to the revolutionary arrangement of main bowl, additional bowl and drainer, thus ensuring greater efficiency. In the middle of the sink centre is the spacious main bowl, which guarantees effortless washing up of large pots and trays. You can rinse salad leaves in the additional bowl to the side at the same time, while using the spacious drainer to arrange food for serving. With innovative accessories such as sliding cutting boards or the multifunctional colander, which can be attached to the main bowl, you can prepare all of your food for cooking at the sink itself.



White



Cream



Black



Brown



Gray

VIST B200



- Modern sink unit for any kitchen ambience
- Harmonious design of outer contours and radii
- Generously proportioned, symmetrically designed bowls – ideal for extended cooking pleasure
- Elegant, large draining area with flowing transition to the bowl area
- High-quality features with InFino drain system - elegantly integrated and easy-care
- Can be installed reversibly

MODEL INFORMATION

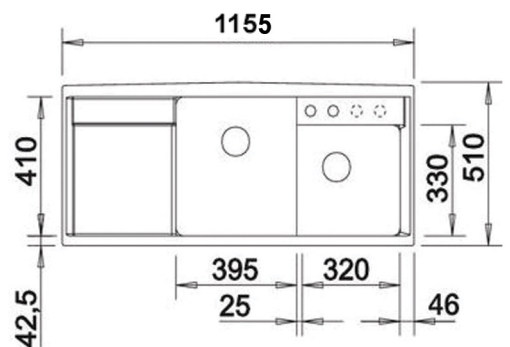
Cabinet size: **80cm**

Inner dimension of the bowl: **430x 439 x 200 mm**

Inner dimension of the small bowl: **372x 280 x 200 mm**

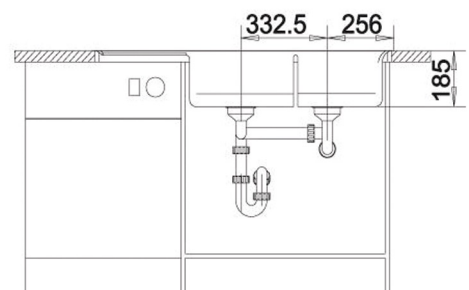
Installation: **reversible**

Cut-out size topmount: **1135x475 mm**



BASIC LINE

White	
Cream	
Black	
Brown	
Gray	





TAO

A welcoming design with sleek lines, generous forms and robust material is ideal for contemporary kitchens bustling with activity. This is probably why BRENTTA's convenient TAO family has become a favourite in many homes' contemporary kitchens. It has a simplicity that's reminiscent of modern and Scandinavian styles but, thanks to its beautiful and practical details, this range has since crossed over into almost all style categories.



White



Cream



Black



Brown



Gray

TAO B200



- Generous bowl for multiple works in and around the sink
- Soft internal corners in the bowl for easy cleaning
- Mindful shape that integrates nicely within the kitchen design
- Continuous ledge frames the water area and protects the worktop from water splashes
- Very resistant for daily family use thanks to the qualities of the Silgranit material.

MODEL INFORMATION

Cabinet size: **80cm**

Inner dimension of the bowl: **343x 437 x 200 mm**

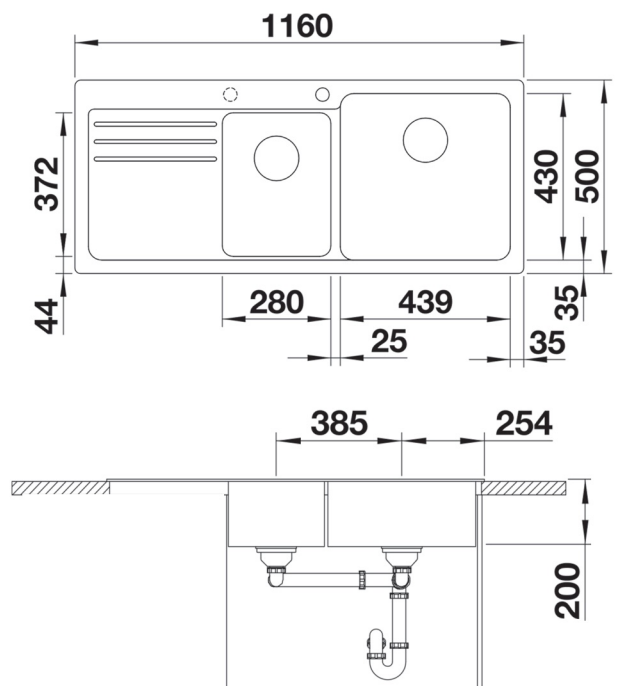
Installation: **reversible**

Cut-out size topmount: **1150x490 mm**



BASIC LINE

White	
Cream	
Black	
Brown	
Gray	





MOSCOW

- Modern sink unit for any kitchen ambience
- Harmonious design of outer contours and radii
- Generously proportioned, symmetrically designed bowls – ideal for extended cooking pleasure
- Elegant, large draining area with flowing transition to the bowl area
- High-quality features with InFino drain system - elegantly integrated and easy-care
- Can be installed reversibly



White



Cream



Black



Brown



Gray

MOSCOW B200



- Modern sink unit for any kitchen ambience
- Harmonious design of outer contours and radii
- Generously proportioned, symmetrically designed bowls – ideal for extended cooking pleasure
- Elegant, large draining area with flowing transition to the bowl area
- High-quality features with InFino drain system - elegantly integrated and easy-care
- Can be installed reversibly

MODEL INFORMATION

Cabinet size: **80cm**

Inner dimension of the bowl: **343x 437 x 200 mm**

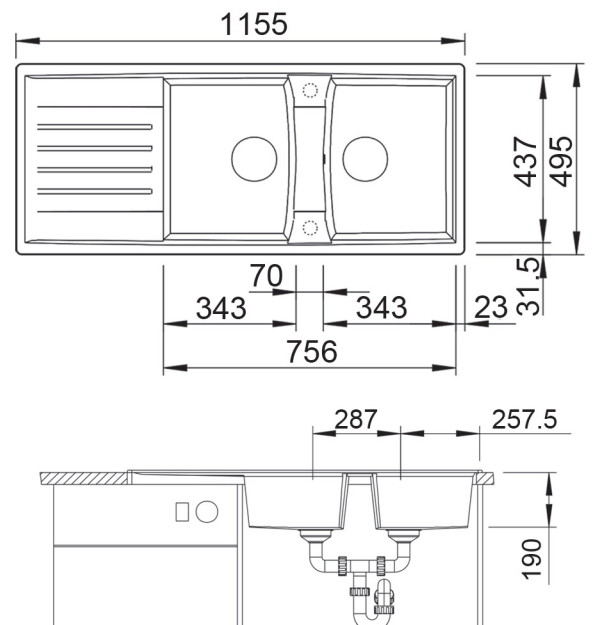
Installation: **reversible**

Cut-out size topmount: **1150x490 mm**



BASIC LINE

White	
Cream	
Black	
Brown	
Gray	





STOCKHOLM

- Modern design with clear lines
- Straight-lined outer contour emphasised by the narrow rim
- Characteristic tap ledge as a frame that enlarges the drainer
- Spacious double bowl sink with drainer provides a high degree of comfort
- Classic bowl arrangement for reversible installation



White



Cream



Black

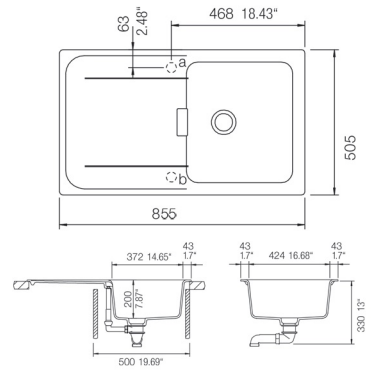


Brown



Gray

STOCKHOLM B100



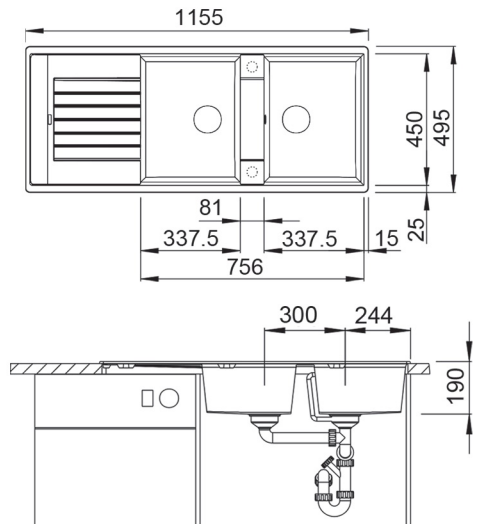
MODEL INFORMATION

Cabinet size: **50cm**
 Inner dimension of the bowl: **347x 424 x 200 mm**
 Instalation: **reversible**
 Cut-out size topmount: **835x485 mm**

BASIC LINE



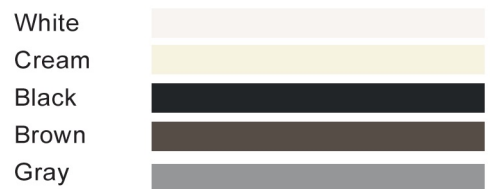
STOCKHOLM B200



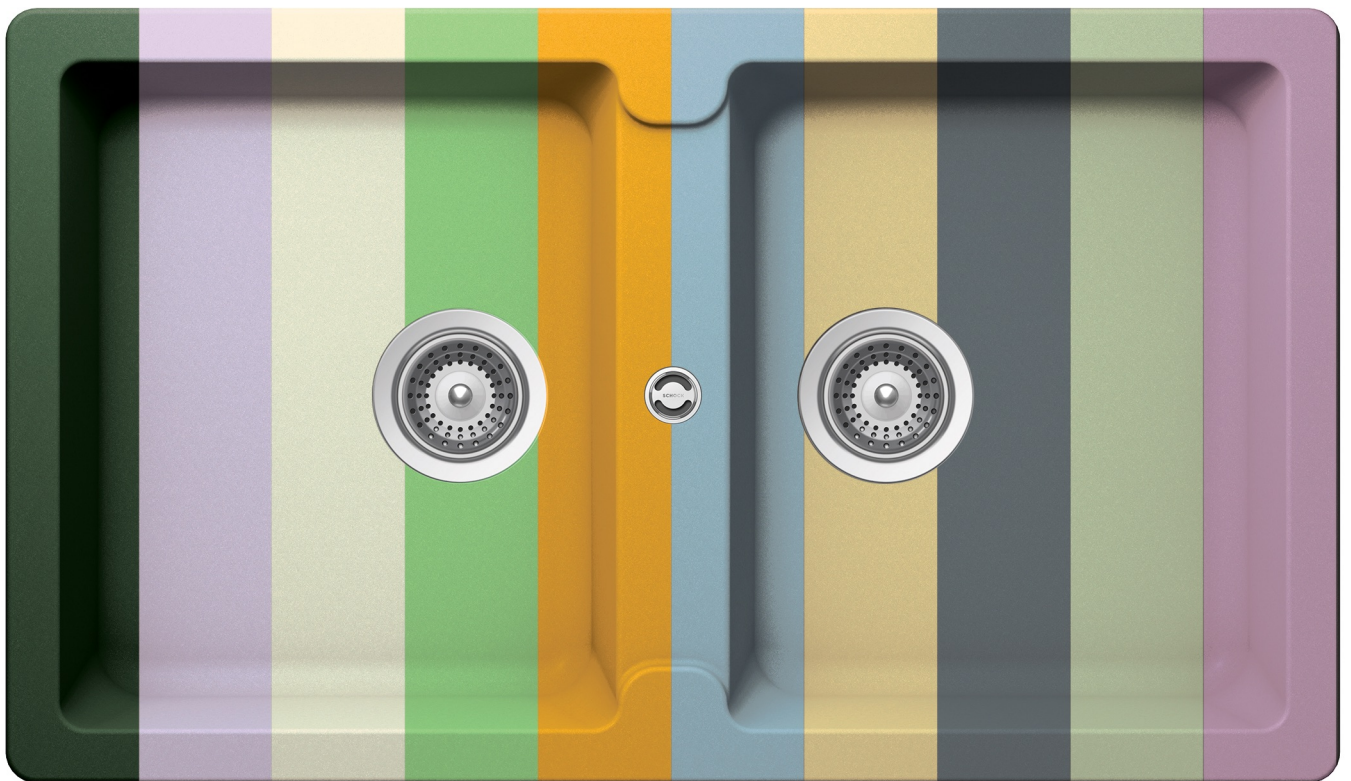
MODEL INFORMATION

Cabinet size: **80cm**
 Inner dimension of the bowl: **337x 450 x 200 mm**
 Instalation: **reversible**
 Cut-out size topmount: **1135x475 mm**

BASIC LINE



QUALITY & COLOR PROJECT



Colors are everywhere, they make life more beautiful. the world of brentta is a unique world of different colors, with the right product for every taste and cooking style.

Unit 11, 3th floor, No :8, west
shaqayeq alley, Banihashem
Square, Tehran, Iran

Tel: 02122334832

Info@brentta.org

www.brentta.org