



Taste of quality
Catalogue 2023

Version No : 03



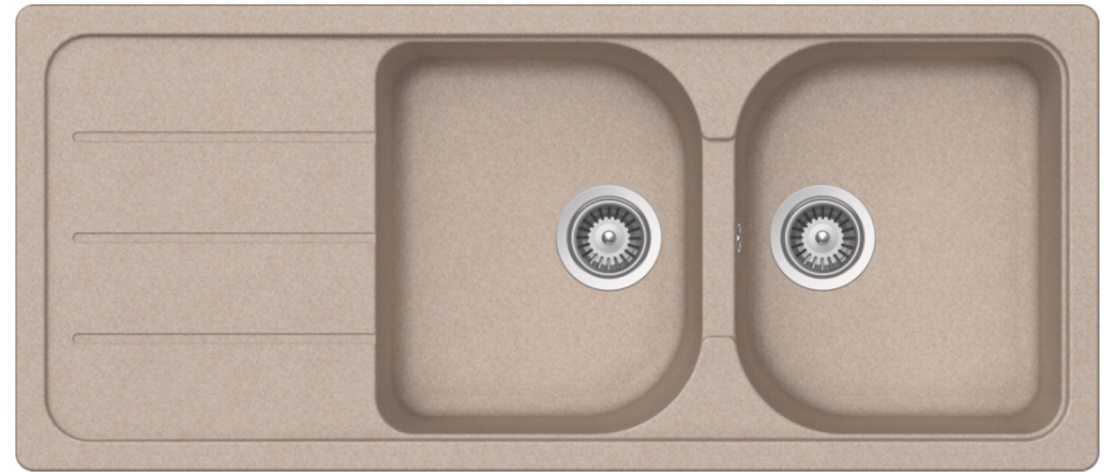


BRENTTA has been a leader in the granite sink market for many years thanks to its ability to innovate in shapes, colors, materials and the technology applied to them. A color project that starts from the sink and extends to all elements of the kitchen environment. Uncompromising quality always aimed at providing the best to those who recognize themselves in BRENTTA products. We are proud that the balance in the components of the sink has distinguished us from other competitors. A collection of beauty, unique design, excellent raw materials, and finally the art of master craftsmen, has placed BRENTTA among the best in sink production. Environment About 85% of the material used in BRENTTA sinks is quartz, the hardest and most noble component of granite. Thanks to this feature, our sinks are commonly recognized as "Granite" sinks.



Desert

Nova



MODEL INFORMATION

Model: **B-200**

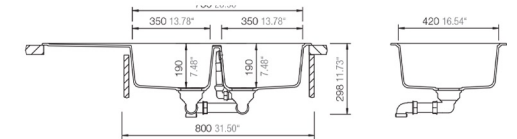
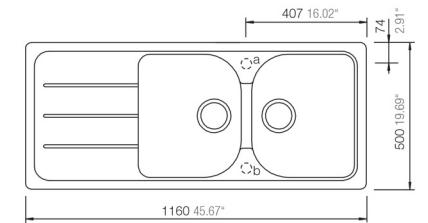
Cabinet size: **80cm**

Inner dimension of the bowl: **350 x 420 x 190 mm**

Installation: **reversible**

Cut-out size topmount: **1135 x 480 mm**

Cut-out size undermount: **1146 x 486 mm**



BASIC LINE



Snow



Cream



Desert



Coffee



Onyx



Iron



Lava



ANTI SHOCK

Granite sinks can cope with the usual temperatures reached during the preparation of food in pots, pans and with baking trays. Even filled cooking pots or baking trays coming directly from the oven can be placed directly on the sink.



Coffee

PARIS



MODEL INFORMATION

Model : **B-200**

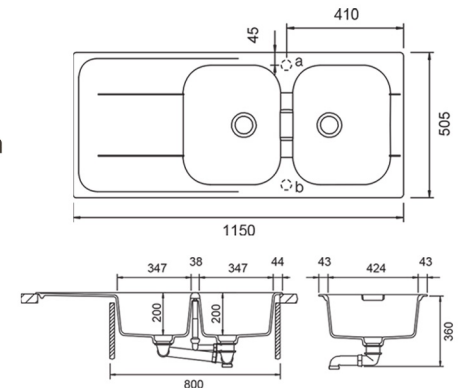
Cabinet size: **80cm**

Inner dimension of the bowl: **347x 424 x 200 mm**

Installation: **reversible**

Cut-out size topmount: **1135 x 480 mm**

Cut-out size undermount: **1144 x 494 mm**



BASIC LINE



Snow



Cream



Desert



Coffee



Onyx



Iron



Lava



IDEAL FOR FOOD

Silgranit has been developed to come into contact with food and food acids. Hence there is no risk. Food acids won't harm the sink material. Silgranit has a closed surface that blocks all common household acids. The material remains as it is. Nothing gets in and nothing comes out.

LISBON



MODEL INFORMATION

Model: **B-200**

Cabinet size: **80cm**

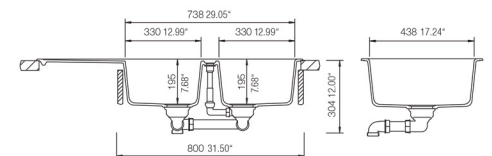
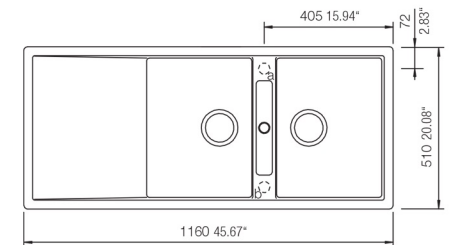
Inner dimension of the bowl: **330x 438 x 195 mm**

Installation: **reversible**

Cut-out size topmount: **1135 x 480 mm**

Cut-out size flushmount: **1155 x 500 mm**

Cut-out size undermount: **1144 x 494 mm**



BASIC LINE



Snow



Cream



Desert



Coffee



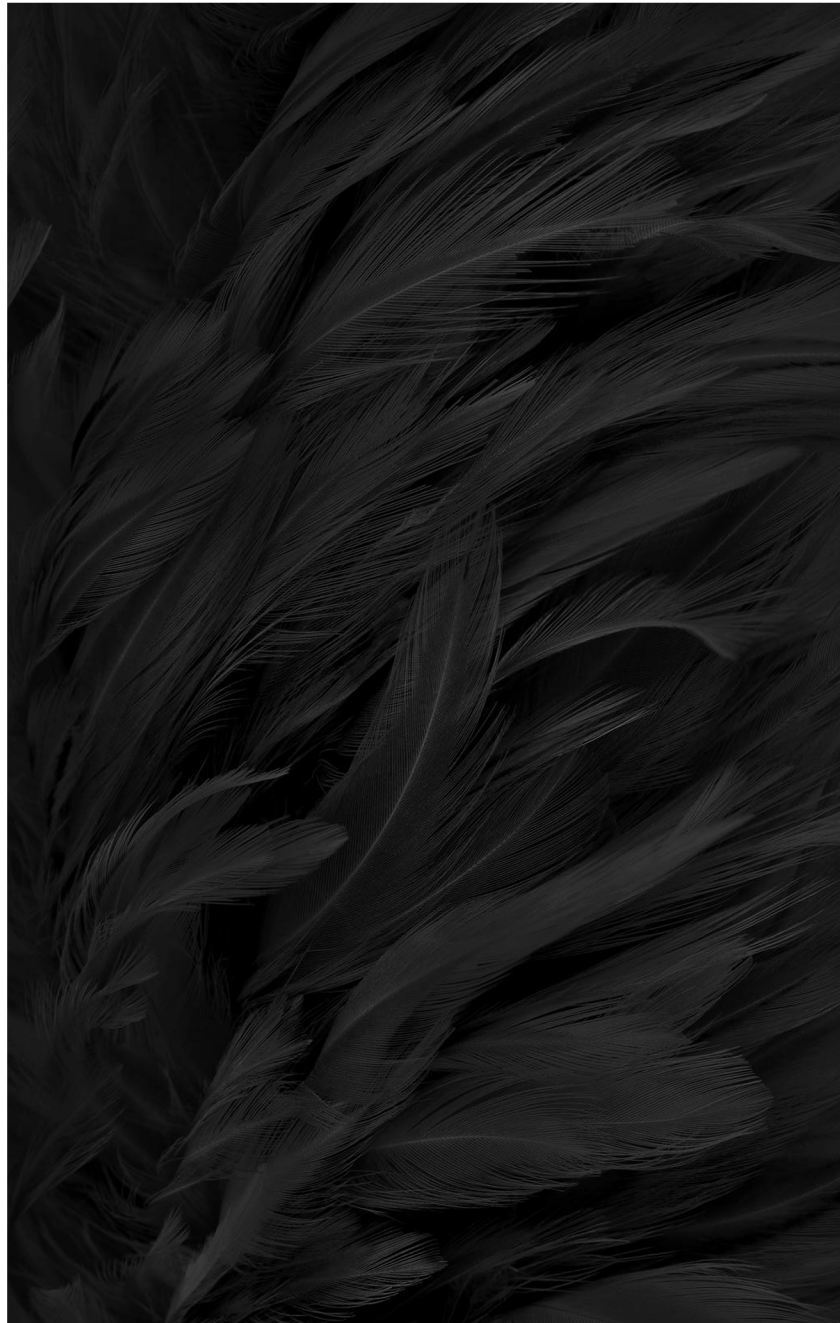
Onyx



Iron



Lava



Onyx



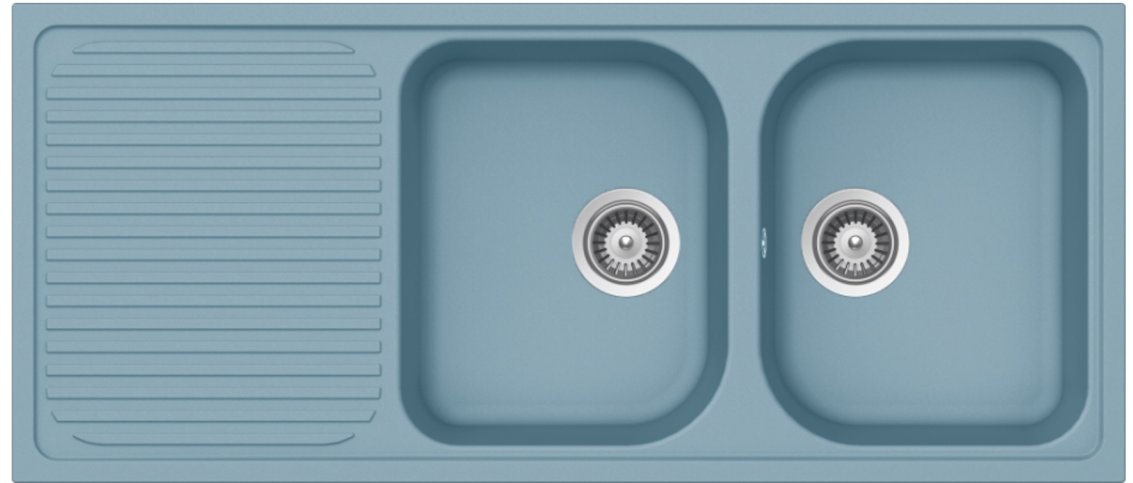
SCRATCH RESISTANT

Silgranit consists of 80 % quartz sand, the strongest component of granite. In short: your sink is extremely resistant. As such, you won't need to worry about putting pots, pans and plates down wherever you fancy in your sink.



Cerulean

TOKYO



MODEL INFORMATION

Model: **B-200**

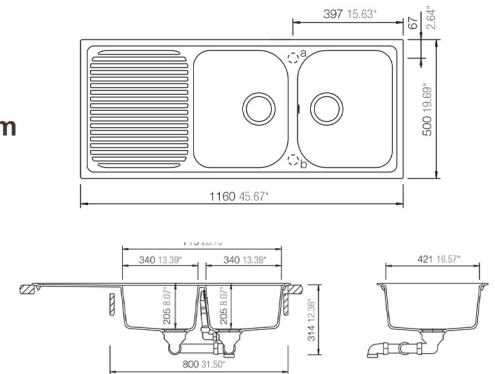
Cabinet size: **80cm**

Inner dimension of the bowl: **340 x 421 x 205 mm**

Installation: **reversible**

Cut-out size topmount: **1135 x 480 mm**

Cut-out size undermount: **1145 x 485 mm**



BASIC LINE



Snow



Cream



Desert



Coffee



Onyx



Iron



Lava



Aesthetic & Customization capability

Granite sinks exude a luxurious and elegant vibe, instantly elevating the visual appeal of your kitchen. The natural stone patterns add a touch of sophistication that complements various kitchen designs. Apart from the standard hole for the tap, the sink has special partly-drilled holes.



Lava

VIST



MODEL INFORMATION

Model: **B-200**

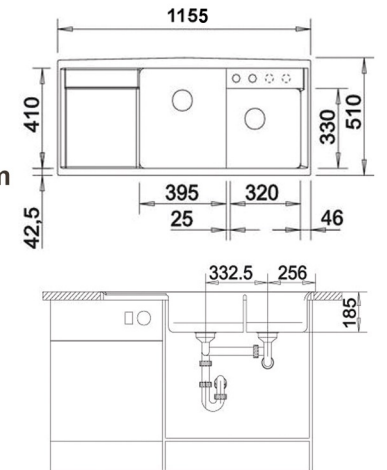
Cabinet size: **80cm**

Inner dimension of the bowl: **430 x 439 x 200 mm**

Inner dimension of the small bowl: **372 x 280 x 200 mm**

Installation: **one way**

Cut-out size topmount: **1135 x 480 mm**



BASIC LINE



Snow



Cream



Desert



Coffee



Onyx



Iron



Lava



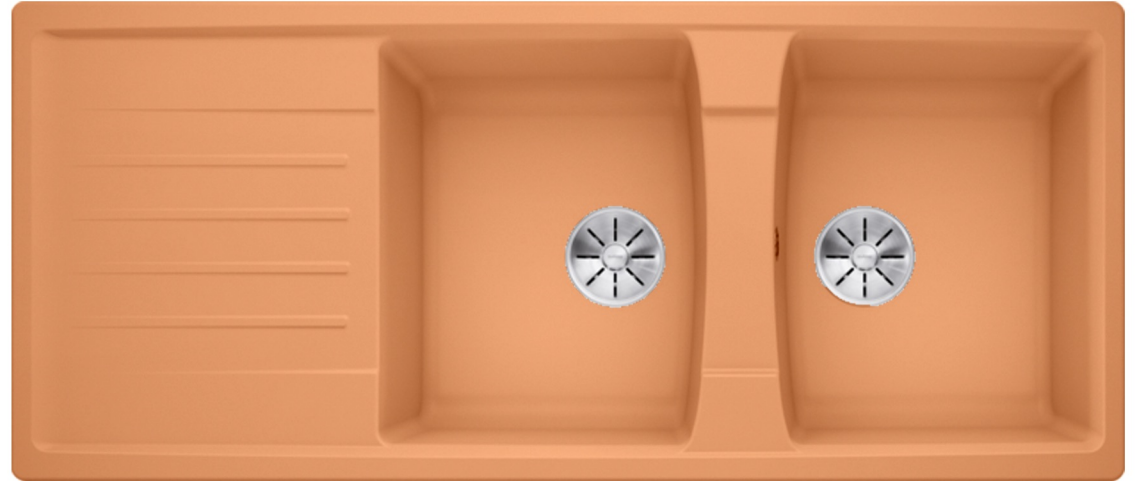
HANDMADE

We are indebted to the hands that brought us art , life , progress , prosperity and security. We are indebted to the hands that used the various materials of nature for our well-being and gave them life.



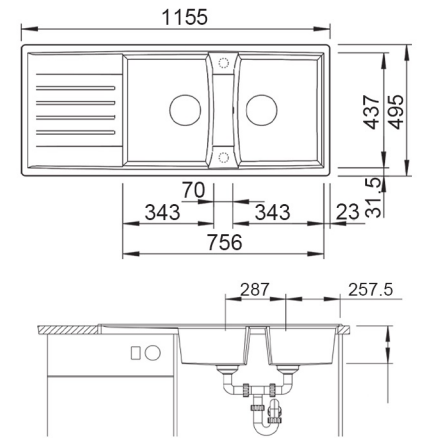
Halloween

MOSCOW



MODEL INFORMATION

Model: **B-200**
 Cabinet size: **80cm**
 Inner dimension of the bowl: **343 x 437 x 200 mm**
 Installation: **reversible**
 Cut-out size topmount: **1150 x 490 mm**
 Cut-out size undermount: **1125 x 465 mm**



BASIC LINE



Snow



Cream



Desert



Coffee



Onyx



Iron



Lava



Noise Reduction

Granite sinks are known for their soundproofing properties. The stone's density helps reduce noise from clattering dishes and running water, creating a quieter kitchen environment.



Iron

TAO



MODEL INFORMATION

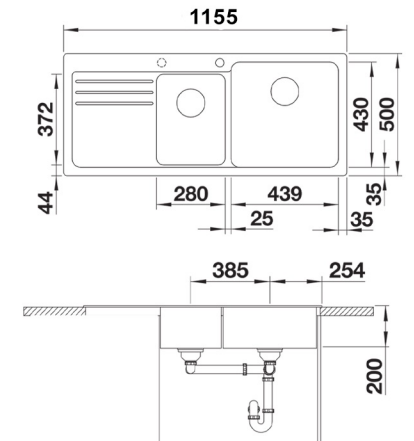
Model: **B-200**

Cabinet size: **80cm**

Inner dimension of the bowl: **343 x 437 x 200 mm**

Installation: **one way**

Cut-out size topmount: **1130 x 480 mm**



BASIC LINE



Snow



Cream



Desert



Coffee



Black



Iron



Lava



PHOTORESIST

Fresh fruit, vegetables and years of bright sunshine provide the surfaces of your sink with plenty of challenges as time goes on. But they remain completely indifferent. After all, our Silgranit sinks are solid as a rock. The material will not discolour or fade under normal use, and with a little care.



Scarlet

STOCKHOLM



MODEL INFORMATION

Model: **B-200**

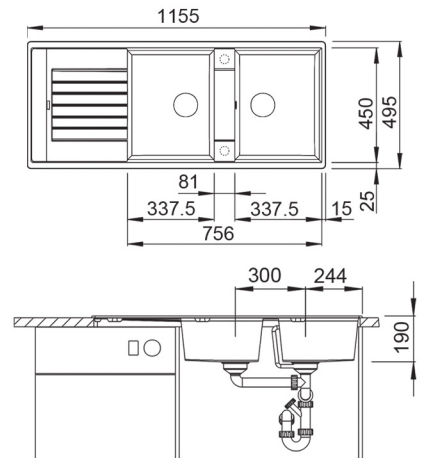
Cabinet size: **80cm**

Inner dimension of the bowl: **337 x 450 x 200 mm**

Installation: **reversible**

Cut-out size topmount: **1135 x 475 mm**

Cut-out size undermount: **1130 x 460 mm**



BASIC LINE



Snow



Cream



Desert



Coffee



Onyx



Iron



Lava



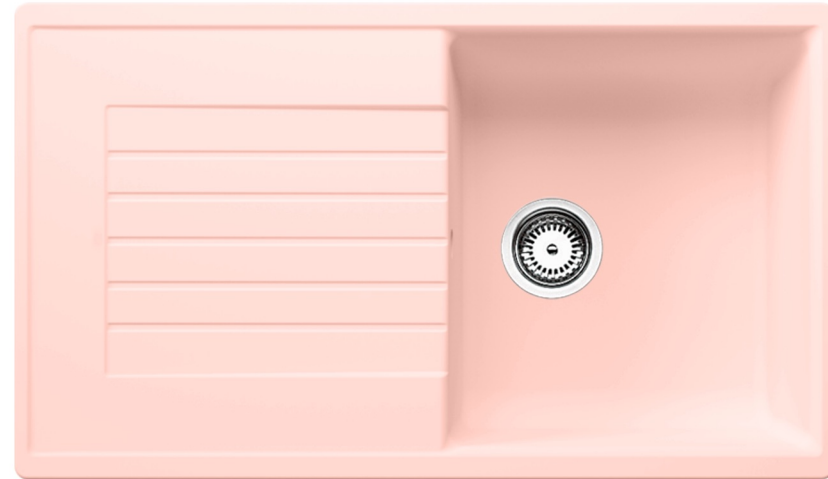
EASY TO CLEAN

Silgranit is very easy to clean. For the daily routine, a sponge and a little washing-up liquid are enough. Your sink will shine again.



Blush

STOCKHOLM



MODEL INFORMATION

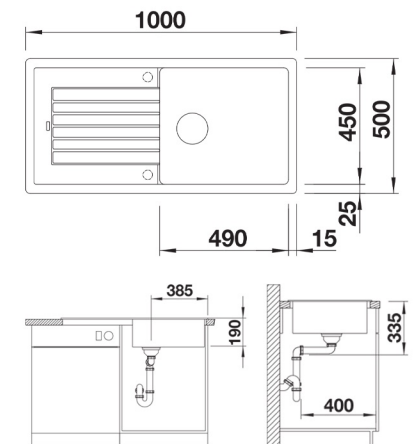
Model: **B-100**

Cabinet size: **50cm**

Inner dimension of the bowl: **347x 424 x 200 mm**

Installation: **reversible**

Cut-out size topmount: **835x485 mm**



BASIC LINE



Snow



Cream



Desert



Coffee



Onyx



Iron



Lava



HEAT RESISTANT

Sometimes, things can really heat up in your kitchen. Silgranit can deal with the usual temperatures reached on pots, pans and baking trays when preparing food. Pots filled with boiling water, baking trays coming directly out of the oven and the like can be placed directly on the sink.



Cream

STOCKHOLM



MODEL INFORMATION

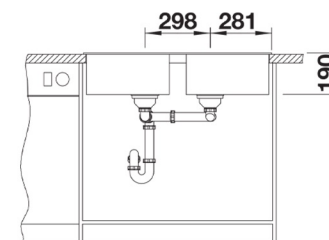
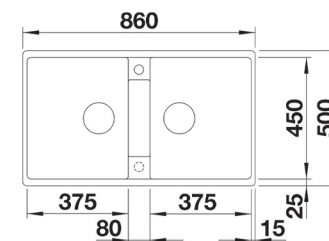
Model: **N-200**

Cabinet size: **80cm**

Inner dimension of the bowl: **450 x 375 x 190 mm**

Installation: **reversible**

Cut-out size topmount: **830 x 470 mm**



BASIC LINE



Snow



Cream



Desert



Coffee



Onyx



Iron



Lava



ANTI STAIN

Unsurpassed Durability. A Sil-granit sink is the ultimate choice for long-lasting kitchen bliss. Sil-granit sinks use advanced engineering to produce a material that easily withstands everyday wear and tear.



Fern

FELORENCE



MODEL INFORMATION

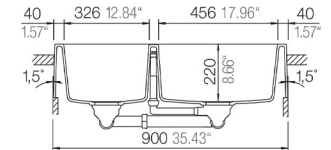
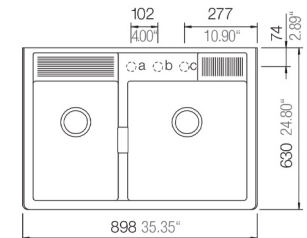
Model: **N-200**

Cabinet size: **90cm**

Inner dimension of the bowl: **456 x 465 x 220 mm**

Inner dimension of the small bowl: **356 x 465 x 220 mm**

Installation: **fixed**



BASIC LINE



Snow



Cream



Desert



Coffee



Onyx



Iron



Lava



SPECIAL DESIGN

Exclusive Design. Our Silgranit portfolio is offered in nine different colors and features sink designs for you to choose from. Modern farmhouse sink styles and spacious undermounts in striking hues like our latest Coal Black, will make your Silgranit sink the statement piece you've been looking for



Lemon

Sydney



MODEL INFORMATION

Model: **N-100**

Cabinet size: **80cm**

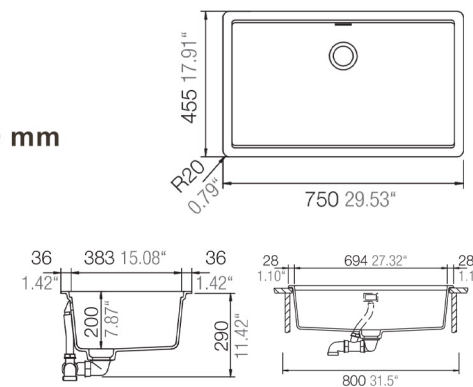
Inner dimension of the bowl: **694 x 384 x 200 mm**

Installation: **fixed**

Cut-out size topmount: **736 x 442 mm**

Cut-out size undermount: **694 x 400 mm**

Cut-out size flushmount: **741 x 447 mm**



BASIC LINE



Snow



Cream



Desert



Coffee



Onyx



Iron



Lava



Hydrophobic properties repel water molecules

Hydrophobicity is one of the natural properties of granite, very useful in the kitchen. The surface of the sink repels drops of water, what the drops without drift taking dirt particles with them. All of this makes sink cleaning much simpler and no requires scrubbing or use of specialized chemicals.



Snow

Vienna



MODEL INFORMATION

Model: **N-100**

Cabinet size: **60cm**

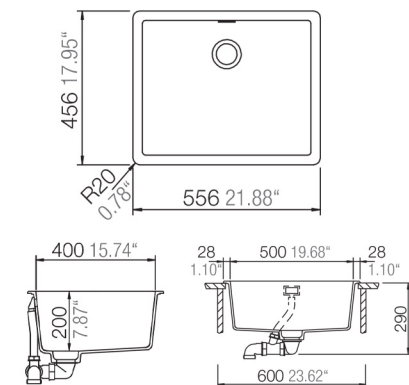
Inner dimension of the bowl: **500 x 400 x 200 mm**

Installation: **fixed**

Cut-out size topmount: **542 x 442 mm**

Cut-out size undermount: **500 x 400 mm**

Cut-out size flushmount: **547 x 447 mm**



BASIC LINE



Snow



Cream



Desert



Coffee



Onyx



Iron



Lava



COLOURFUL VARIETY

The kitchen sink is often one of the last things to be planned into a new kitchen. It goes without saying that we don't agree with that approach, we would do it completely differently. But that's the way it is. The colours of the cabinets, the worktop and the floor have been decided, now the sink has to fit in.



WWW.BRENTTA.ORG

11, No 8, west shaqayeq, Banihashem Square, Tehran, Iran

Tel: 02122334832

Info@brentta.org